



Properties

- Ø8 mm housing
- 1.5 mm flush mountable
- DC, NAMUR interface
- Cable and connector versions

Your Benefit

- ATEX approved sensor applicable up to zone 0 and zone 20
- Usable up to SIL2 acc. to IEC 61508

Technical Data

For detailed data and product description refer to the data sheets at www.pepperl-fuchs.com

General Data

Rated operating distance	1.5 mm
Installation	flush
Switching element function	NAMUR, NC
Nominal voltage	8.2 V (R _i approx. 1 kΩ)
Current consumption	
Measuring plate not detected	≥ 3 mA
Measuring plate detected	≤ 1 mA
Suitable for 2:1 technology	✓, Reverse polarity protection diode not required
Ambient temperature	-25 ... 100 °C (-13 ... 212 °F)
Housing material	Stainless steel 1.4305 / AISI 303

Model Number

		green = preferred type		
Switching frequency	0 ... 2000 Hz 0 ... 5000 Hz	●	●	●
Indication of the switching state	LED, yellow	●	●	●
Protection degree	IP66 / IP67 IP67	●	●	●
Connection type	Device connector M12 x 1, 4-pin cable PVC, 2 m	●	●	●

Use in the hazardous area

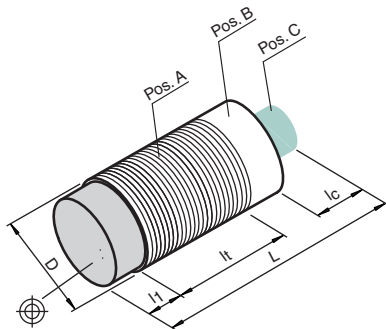
Use in the hazardous area	see instruction manuals	●	●	●	●
Category	1G; 2G 1G; 2G; 1D 1G; 2G; 3G; 1D 2G	●	●	●	●

Approvals and Certificates

Control drawing	116-0165F	●	●	●	●
UL approval	cULus Listed, General Purpose	●	●	●	●
CSA approval	cCSAus Listed, General Purpose	●	●	●	●
CCC approval	Products with a maximum operating voltage of ≤36 V do not bear a CCC marking because they do not require approval.				

Dimensions

Length L [mm]	22	25	42	45	
Diameter D [mm]		8		8 / 12	
Thread length l _t [mm]	22	25	20	25	
Cap length l ₁ [mm]			0		
Connector area l _c [mm]		0		6	
LED position	Pos.	-	C	-	B

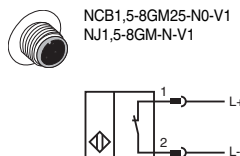
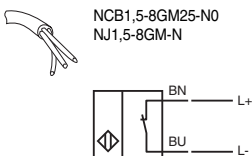


Accessories This and more accessories can be found in chapter 10

See pages from 972 ... for cordsets See pages 1068 ... for mounting aids

V1-G-BK	4-pin, M12 female field-attachable connector
BF 8	Mounting flange, 8 mm
V1-W-BK	4-pin, M12 female field-attachable connector
V1-G-N-2M-PUR	Cable socket, M12, 2-pin, NAMUR, PUR cable
V1-W-N-2M-PUR	Cable socket, M12, 2-pin, NAMUR, PUR cable

Electrical Connection



Wire colors in accordance with EN 60947-5-6

1	BN	(brown)
2	BU	(blue)

Date of issue 04/08/2015

Refer to "General Notes Relating to Pepperl+Fuchs Product Information".

Pepperl+Fuchs Group
www.pepperl-fuchs.com

USA: +1 330 486 0001
fa-info@us.pepperl-fuchs.com

Germany: +49 621 776 4411
fa-info@de.pepperl-fuchs.com

Singapore: +65 6779 9091
fa-info@sg.pepperl-fuchs.com

Courtesy of Steven Engineering, Inc - (800) 258-9200 - sales@steveng.com - www.stevenengineering.com